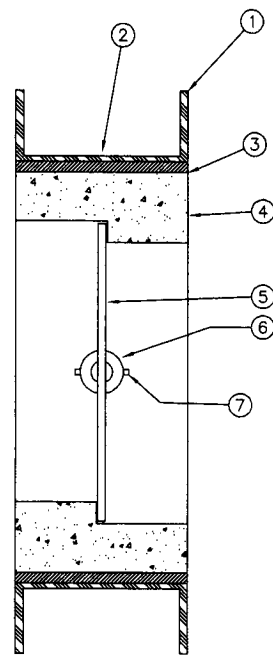
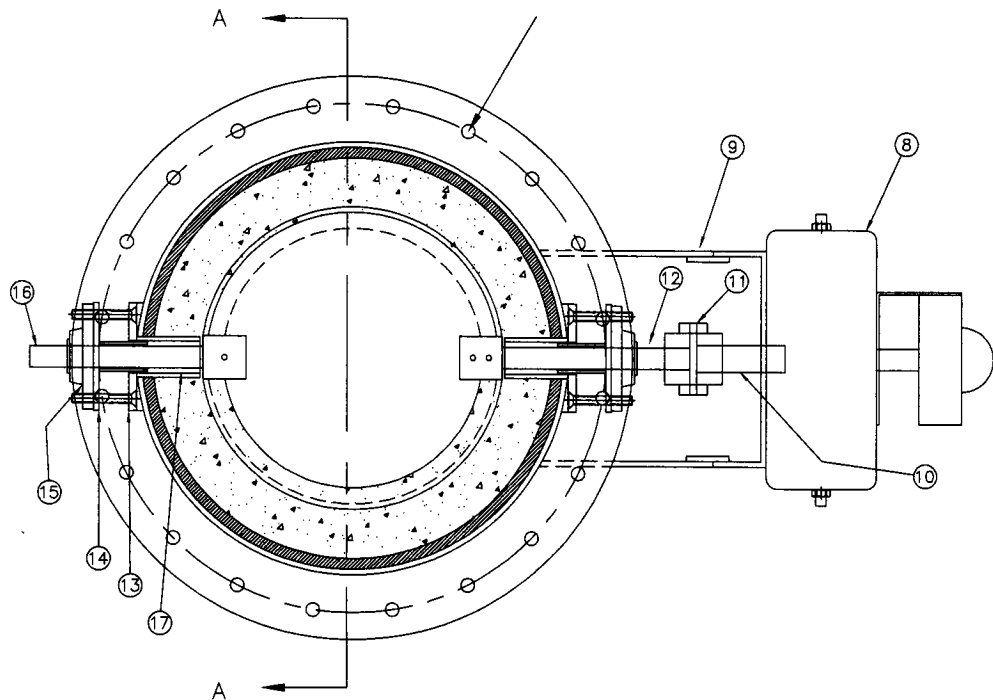


(20) 5/8" HOLES
ON A 23-1/2" BC



Section A-A

Packing	17	Ceramic Rope/1/4" Corbrak	1
Shaft	16	#1 316SS	1
Bearing	15	Dodge 13700	2
Packing Washer	14	1/4" 304SS	2
Packing Gland	13	3/8" 304SS	2
Drive Shaft	12	#1 316SS	1
Chain Coupling (Max)	11	D40-18	1
Drive Shaft	10	#1-1/2" 316SS	1
Actuator Bracket	9	1/4" 304SS	1
Actuator (Automax)	8	S1155RW	1
Blade Pins	7	#1/4" 316SS	3
Blade Hub	6	1/2" 316SS	2
Blade	5	3/8" 304SS	1
Refractory	4	Ultra-green 45	1
Insulation	3	1/2" INSUL-BLOCK 18	1
Body	2	1/4" 304SS	1
Flange	1	3/8" 304SS	2
ITEM NAME	ITEM	DESCRIPTION	QTY

BMAT

CUSTOMER:
CUSTOMER P.O.:
QTY:
PAINT:
AHS JOB NO#:

One
N/A
2163

<p>THE INFORMATION CONTAINED HEREIN IS THE PROPERTY OF THE COMPANY AND IS NOT TO BE DISCLOSED TO ANY OTHER PARTY WITHOUT THE WRITTEN PERMISSION OF THE COMPANY.</p>			
<p>AM HEATHER SMAL CO. INC.</p>			
<p>P.O. Box 8 Marietta Rd. Waterford, Oh 45786 (614) 984-2146</p>			
REV. DESCRIPTION	DRAWN BY: KS	DATE: 10/1/88	BY: KS
	CHECKED BY:	DATE:	BY:
	APPROVED BY:	DATE:	BY:
	BY: KS	DATE: 10/1/88	BY: KS
REV.	TITLE: SS Refractory Butterfly	DRAWING NO: 2163-001	