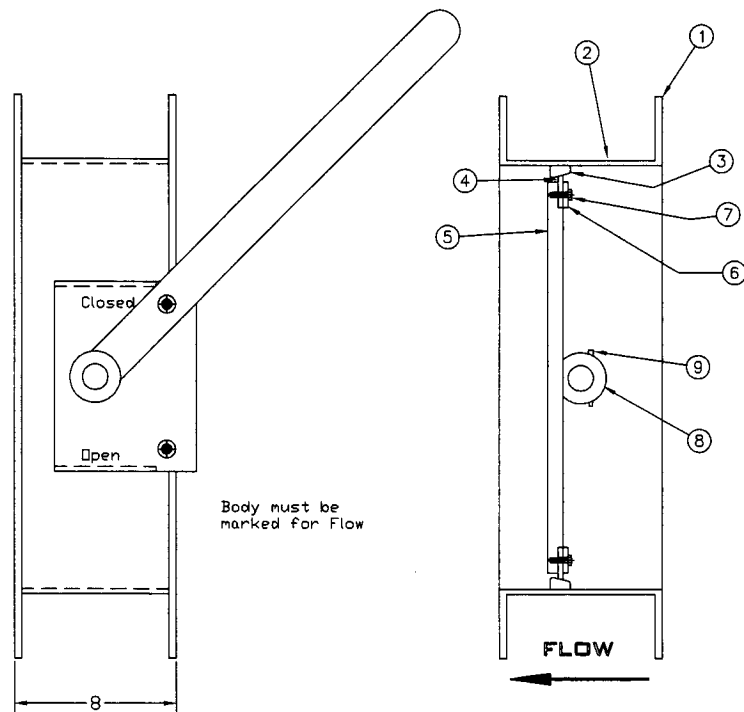


Stub Shaft	21	#1-1/4" 316SS	1
Bearing	20	Dodge SC 2-bolt	2
Packing Pusher	19	1/4" 304SS	2
Packing	18	SEP-CO 1/4" teflon	8
Packing Gland	17	1"x4"x8" 304SS	2
Handle Locks	16	#3/4" 304SS	2
Locking Handle	15	304SS	1
Drive Lever Hub	14	#2-1/2" 304SS	1
Lever Arm	13	3/4"x2" 304SS	1
Bracket	12	3/8" 304SS	1
Bushing	11	Symmos	1
Drive Shaft	10	#1-1/4" 316SS	1
Blade Pin	9	#4 taper 18-8SS	3
Blade Hub	8	#2-1/2" 304 SS	2
Retainer Hardware	7	1/4"-20x.875 18-8SS	18
Seal Ring	6	1/4" 304SS	1
Blade	5	3/4" 304SS	1
Blade Seal	4	1/4" Viton	1
Blade Seat	3	3/8"x1" 304SS	1
Body	2	1/4" 304SS	1
Flange	1	3/8" 304SS	2
ITEM NAME	ITEM	DESCRIPTION	QTY

BMAT



CUSTOMER:
CUSTOMER P.O.:#
QTY: Six
PAINT: None
AHS JOB NO#: 1161

<small>THIS DRAWING IS THE PROPERTY OF AHS. IT IS TO BE USED ONLY FOR THE PROJECT AND FOR THE QUANTITY AND DELIVERY DATES SPECIFIED THEREON. IT IS NOT TO BE REPRODUCED OR COPIED IN ANY MANNER WITHOUT THE WRITTEN PERMISSION OF AHS.</small>		AHS HEATER SBAL CO. INC. P.O. Box 8 Hartford Rd. Waterford, Oh 45786 (614) 984-2146	
REV. DESCRIPTION	DRAWN BY: KJS	DESIGN PRESS: 30	°C
	DATE:	OPERATING PRESS:	°C
	CHECKED BY:	DESIGN TEMP:	300
	DATE:	OPERATING TEMP:	F
	APPROVED BY:	EXHAUSTION:	F
BY DATE	TITLE:		
REV.	SS Bubble tight Butterfly		
	DRAWING NO. 1161-001		